

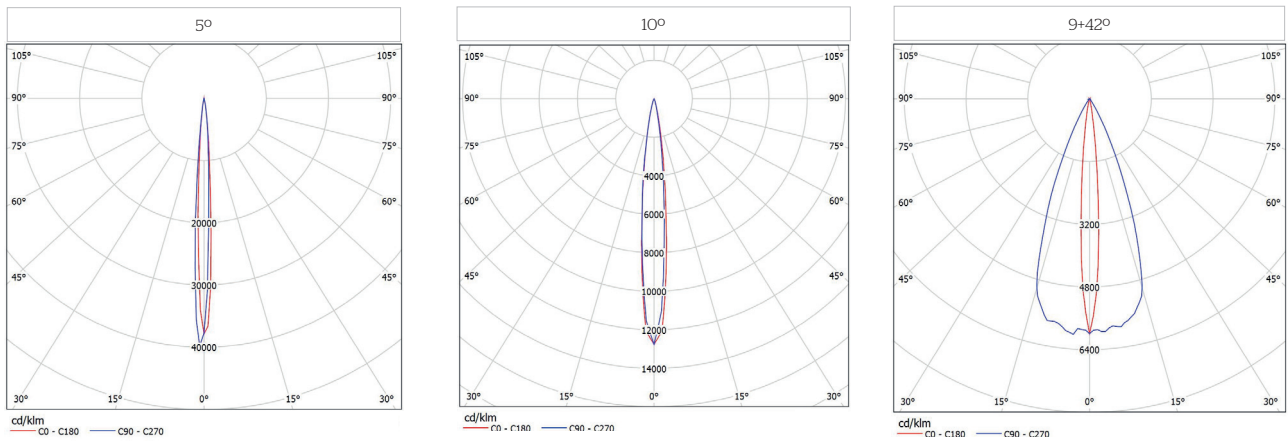
# TRQ700

## TECHNICAL CHARACTERISTICS

Ref.	LEDs	Supply voltage VDC	Current mA	Power W	Flux lm	Color Temp. K	CRI	Beam angle	Orientation angle	Dimmer
<b>FBA-XXO-NNN-NXP-5GB</b>	1	12 - 48*	700	2	215	4000	>80 85 typ.	According to the interchangeable optics	Fixed angle	0-100% PWM

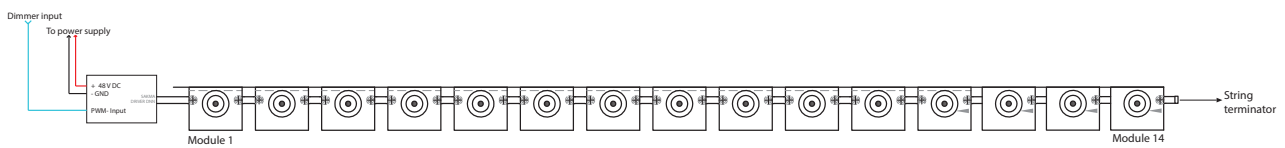
\* Supply voltage:  
 - 1 to 3 TRQ700 in serial: 12 V DC to 48 V DC.  
 - 4 to 6 TRQ700 in serial: 24 V DC to 48.  
 - 7 a 14 TRQ700 in serial: 48 V DC.

## PHOTOMETRY



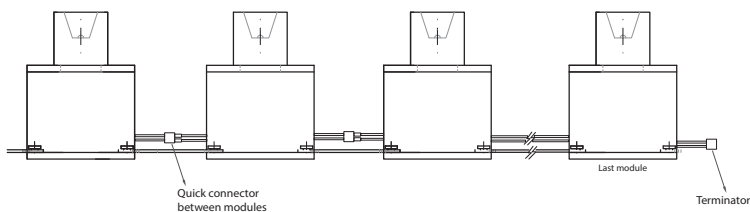
## WIRING

### TOP VIEW



Maximum 14 modules/string

### SIDE VIEW



## 5 year guarantee

The specifications of the product may be modified without notice.  
 © SAKMA Electrónica Industrial. All Rights Reserved.

## REFERENCES

Ref.	Color temp. K	Optics
FBA-270-NNN-NAP-5GB	2700	5°
FBA-270-NNN-NBP-5GB	2700	10°
FBA-270-NNN-NSP-5GB	2700	9+42°
FBA-300-NNN-NAP-5GB	3000	5°
FBA-300-NNN-NBP-5GB	3000	10°
FBA-300-NNN-NSP-5GB	3000	9+42°
FBA-400-NNN-NAP-5GB	4000	5°
FBA-400-NNN-NBP-5GB	4000	10°
FBA-400-NNN-NSP-5GB	4000	9+42°
FBA-450-NNN-NSP-5GB	4500	5
FBA-450-NNN-NSP-5GB	4500	10°
FBA-450-NNN-NSP-5GB	4500	9+42°

### 5 year guarantee

The specifications of the product may be modified without notice.  
© SAKMA Electrónica Industrial. All Rights Reserved.